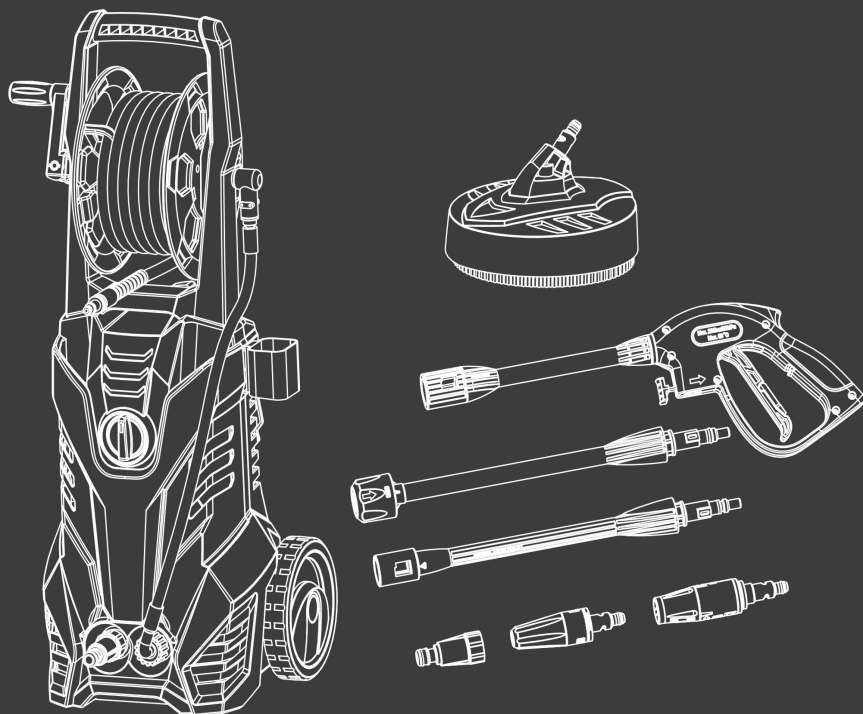


**HYUNDAI**  
POWER PRODUCTS

# HIGH-PRESSURE CLEANER HNNHPE2000

## ORIGINAL INSTRUCTIONS



**WARNING:** Read thoroughly the instruction manual before use.

## **Intended use**

The high-pressure washer is used to clean objects and outdoors surfaces (tools, vehicles, boats, terraces, facades, garden furniture etc.) with a high-pressure water jet. It's not intended for commercial use.

Ensure that vehicles and their engines are clean and located in equipped places with an oil separator.

**The following safety instructions should be read and followed before using the pressure washer!**

## **Safety instructions for high-pressure cleaners:**

- . The device may only be connected to an electrical connection made by an electrician in accordance with IEC 60364.
- . The device should be used in an upright position.

- . The device should be used outdoors.
- . This tool is not designed to be used by people (including children) whose physical, mental or sensory abilities are impaired, or who lack experience and knowledge.
- . The device should not be used in an environment subject to explosion hazards.
- . The device should not be left unattended while the operating switch (5) is turned on.
- . The jet (23+24) of the high-pressure cleaner should not be directed at persons, animals, electrical components or the device itself. Keep people away from your working area.
- . Never direct the jet (23+24) at yourself or others to clean clothing or shoes.
- . Spraying products that may contain harmful substances (e.g. asbestos) are prohibited.
- . Check the power supply cable (9) and high-pressure hose (4) for damage before starting work.

- . A damaged spray gun (11) should be replaced by an authorized workshop.
- . A damaged high-pressure hose (4) should be replaced before starting up against an original hose.
- . If the power supply cable (9) is damaged, it should be replaced by a specific junction available from the service centre or the manufacturer.
- . Do not touch the power plug and power cable (9) with wet hands.
- . If necessary, use splash-protected extension cords and make sure that the power plug and extension cord connection are watertight. Non-suitable extension cords can be dangerous.
- . Make sure that the drain pipe is sealed and connected to the hose coupling (7).
- . The drain pipe and the high-pressure hose (4) should not be bent.

- . Tires and car valves should be cleaned at least 30 cm away from the vehicle, using only the round jet.
- . When using detergents, the detergent manufacturer's instructions for use, disposal and precautions should be observed.
- . This device has been designed for use with cleaning detergent supplied or recommended by the manufacturer. The use of other detergents or chemicals may interfere with the safety of the device.
- . The jet of water causes the spray gun (11) to reverse backward force. Be sure to maintain proper balance and hold the spray gun (11) and spray tube (12) firmly.
- . Protect yourself from the elements that can be sprayed by wearing suitable work clothing and protective goggles.
- . Wearing a noise protection is recommended
- . The machine is transportable, use the handle. Do not use the cord to carry the

cleaner. Do not pull on the cord to disconnect the plug.

- . NEVER transport the device by pulling on the high-pressure hose. Use the handle located on the upper part of the device.
- . Only install the machine on stable surfaces for operation, assembly and disassembly. Hold the machine firmly during transport
- . **Attention:** Use only original spare parts and accessories from the manufacturer, in order to ensure the safety of the device. High-pressure hoses, controls and fittings are important for the safety of the device.
- . Never operate the device if the power cable or important parts of the device, e. g. safety device, high-pressure hose or spray gun are damaged.

## Symbols:



Read the instructions manual.



Complies with applicable European standards and directives.



Protection class II. This means that the device is equipped with double insulation. A grounding plug is not required.



**WARNING!** The jet should not be directed at persons, animals, live equipment or the equipment itself.



This machine is not suitable for connection to the drinking water supply.



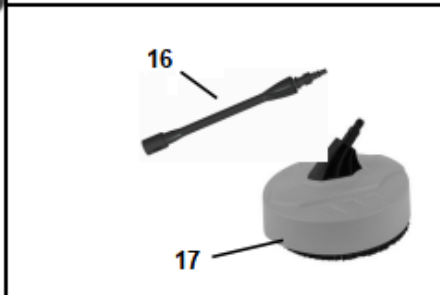
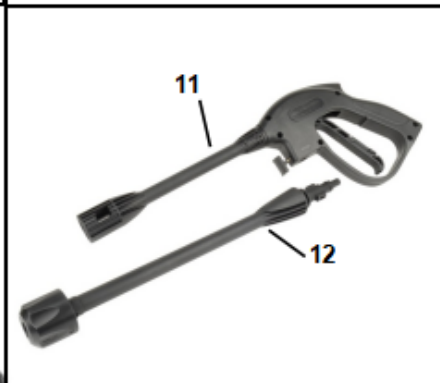
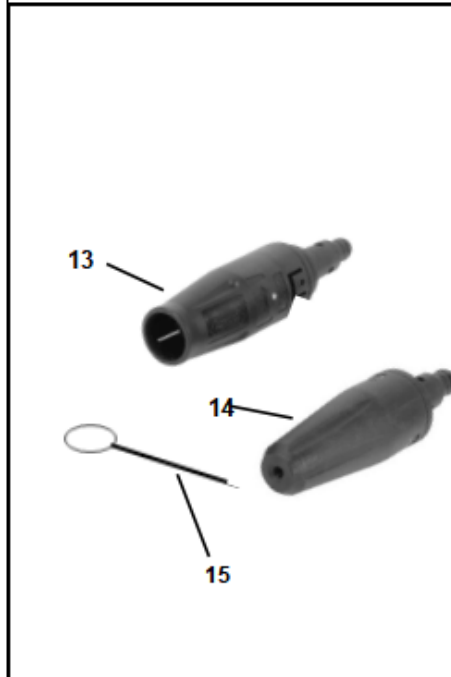
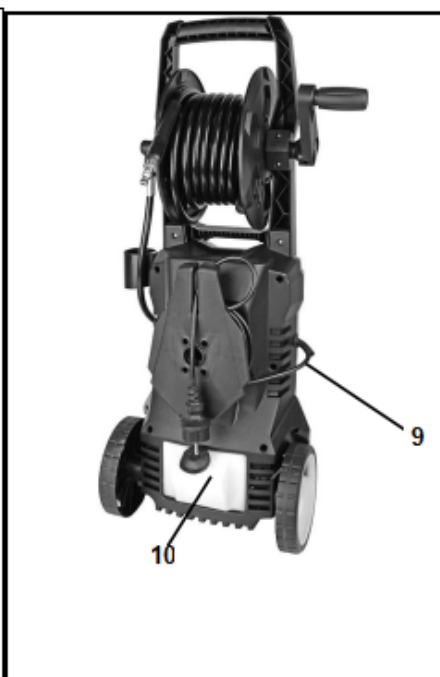
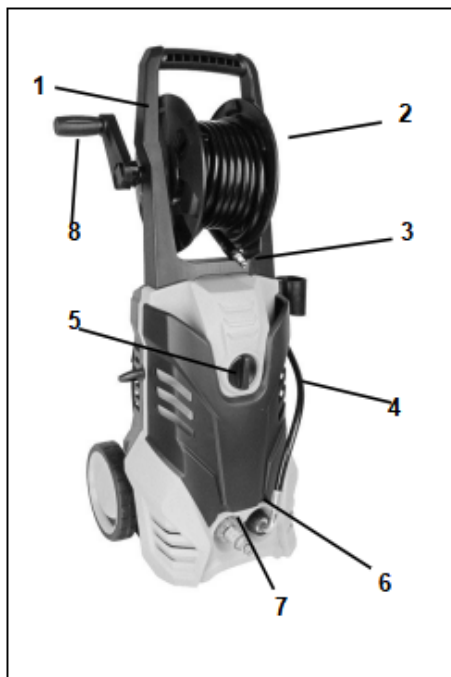
Guaranteed sound power level.



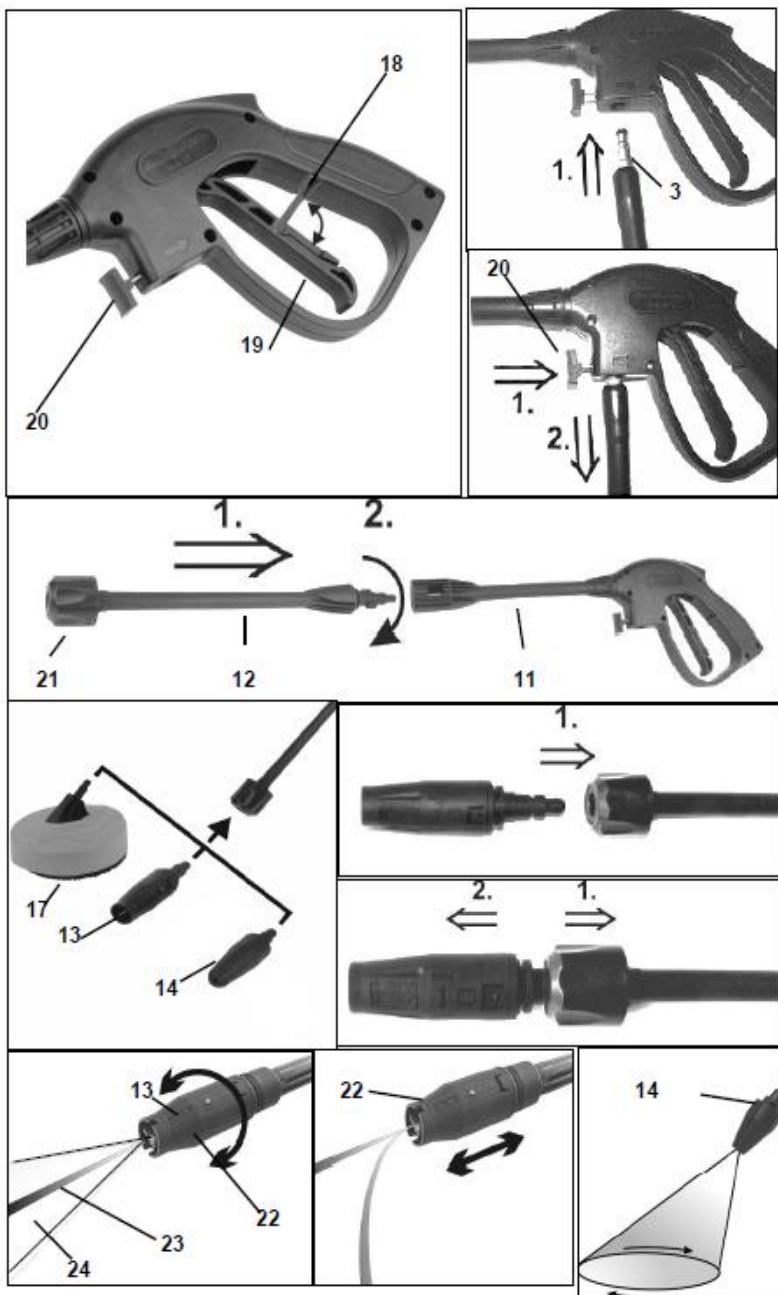
Level of protection 5. This means that the device is protected against a weak water jet, e.g. by a garden watering on the device.



**Correct disposal of this product.** This marking indicates that this product should not be disposed of with other household waste throughout the EU. To prevent possible harm to the environment or human health from uncontrolled waste disposal, recycle it responsibly to promote the sustainable reuse of material resources. To return the used device, please use the return and collection systems or contact the retailer where the product was purchased. They can take this product for environmentally friendly recycling.








<b>Delivery contents</b>	<b>Description of the device (photo 1)</b>
<ul style="list-style-type: none"> <li>1 high-pressure cleaner</li> <li>1 high-pressure hose</li> <li>1 spray gun</li> <li>1 spray tube</li> <li>1 dirt milling machine</li> <li>1 wide jet nozzle</li> <li>1 surfaces cleaner</li> <li>1 hose connection</li> <li>1 nozzle cleaning needle</li> </ul>	<ul style="list-style-type: none"> <li>1. Carrying handle</li> <li>2. Hose drum</li> <li>3. Hose connection</li> <li>4. High-pressure hose</li> <li>5. Operation switch</li> <li>6. High-pressure outlet</li> <li>7. Water supply</li> <li>8. Hand cam</li> <li>9. Power cable</li> <li>10. Detergent tank</li> <li>11. Spray gun</li> <li>12. Spray tube</li> <li>13. Wide jet nozzle</li> <li>14. Dirt milling machine</li> <li>15. Nozzle cleaning needle</li> <li>16. Extension</li> <li>17. Surfaces cleaner</li> <li>18. Locking system</li> <li>19. Trigger</li> <li>20. Unlocking</li> <li>21. Locking cover</li> <li>22. Tip nozzle</li> <li>23. Linear jet</li> <li>24. Round jet</li> </ul>

## **Technical data**

Nominal voltage	220-240 V~
Frequency	50 Hz
Nominal power	2000 W
Water flow temperature, max.	40 °C
Water production, min.	6.0 l/min
Water production pressure, max.	0.3 MPa (3 bars)
Operating pressure, nominal.	10 MPa (100 bars)
Operating pressure, max.	15.0 MPa (150 bars)
Sound pressure level (Uncertainty K = 3 dB)	88 dB(A)
Sound power level max. (Uncertainty K = 3 dB)	99 dB(A)
Vibration of the spray gun	3,0 m/s <sup>2</sup>
Protection class	II / 
Degree of protection	IPX5
Weight	9.4 kg



**Wear hearing protection when using the power tool.**

**Note:**

- The declared vibration total value was measured in accordance to a standard test method and may be used for comparing one tool with another.
- The declared total vibration value can even be used in a preliminary exposure estimate.

**Warning:**

- Vibration emission during actual use of the power tool may differ from the total declared value depending on how the tool is used;
- Avoid the risk of vibration

Suggestion: 1) wear gloves during the operation.

2) limit the operating time and shorten the tripping time.

## **Protection class IPX5**

The product is protected against a small jet of water e. g. by spraying garden water on the device.

## **Automatic stop of the engine**

This high-pressure washer is equipped with an automatic engine stop. If the trigger (19) of the spray gun is activated during operation, the motor stops automatically. By pressing the trigger (19) again, the motor restarts. During short work breaks, the trigger (19) of the spray gun (11) should be locked by the locking system (18) to prevent unintentional starting of the engine. In case of longer interruptions, the operation switch (5) should also be set to "OFF".

## **Use of detergents**

This high-pressure washer is suitable for the use of universal cleaning products, for cars, boats, home and garden, recommended by the manufacturer and approved for use with high-pressure cleaners (e.g. Kärcher, Mellerud).

The use of other cleaning products or chemicals may interfere with the safety and functionality of the appliance.

- When using cleaning products, the dosing and application instructions of the manufacturer of cleaning products should be observed.
- Do not use aggressive cleaning products.
- Consult your specialist dealer for advice on suitable cleaning products.

## **Before start-up**

- It is recommended that a specialist install a current protection switch at the electrical connection of the device, to interrupt the power supply when the fault current exceeds 30 mA for 30 ms.
- According to the applicable regulations, the device should never be operated without a system separator on the drinking water system. Use a separator system according to EN 12729 type BA. Always connect the system separator to the water supply and never directly to the device!
- Slide the hose reel (2) into the holder provided at the front and secure it with two screws.
- The high-pressure hose (4) should be screwed firmly to the high-pressure outlet (6).
- Plug the free end of the high-pressure hose (3) into the corresponding opening of the gun until you hear a click. To remove the high-pressure hose from the gun, press the unlock button (20) and pull the hose out.
- Screw the water hose onto the water connection sleeve or push it into the pre-assembled hose connector. At the same time, make sure that the dirt filter is in the suitable position.
- Screw the spray hose (12) firmly into the spray gun (11).

- If necessary, insert one of the nozzles into the steel pipe until you hear a click. To replace the nozzle, pull the locking cap (21) backwards towards the gun and pull the nozzle out from the front.
- Connect the power plug into a properly grounded outlet.
- Turn the water supply on. If you are using the high-pressure washer and the water supply is interrupted, this causes damages to the pump.

## **Turning on**

Fully unwind the high-pressure hose from the hose reel (2). At the same time hold it with the transport handle (1).

- Turn the operating switch (5) to the "ON" position
- Point the spray gun (11) downwards.
- Unlock the locking device (18) of the spray gun (11) and press the trigger (19) fully.

## **Turning off**

- Release the trigger (19) and lock it with the locking system (18).
- In case of longer interruptions, the high-pressure cleaner should be switched off with the operation switch (5). ("OFF")

## **Detergent tank**

The detergent tank (10) allows adding automatically the detergent to the washing water if needed.

- Remove the cap to open the tank (10).
- Fill the tank with a maximum of 0,5 l of detergent solution.
- For the preparation of the detergent solution, follow the instructions or recommendations of the manufacturer of the product used.
- Close the tank (10).
- Detergent is added by adjusting the jet nozzle and this can only be done in low pressure mode.

## **Jet nozzle**

### **Detergent can only be added in low pressure mode.**

- Push the nozzle sleeve (22) forward or backward to change the high-pressure cleaner from high-pressure to low pressure mode and vice versa.
- To add detergent to the washing water, push the nozzle sleeve (22) forward and push it to the stop.
- When you trigger the gun, the detergent will be automatically mixed with the washing water.
- To switch to the high-pressure mode, pull the nozzle sleeve (22) towards the gun till the stop.
- After switching from low pressure to high-pressure mode, and when the detergent tank is full, the detergent may still flow for a few moments.

## Cleaning operation

- Start possibly by cleaning the object in high-pressure operation mode to remove most of the dirt.
- Spray the detergent on the dry surface to be cleaned and let it act for a few moments (do not let it dry!).
- Rinse with a high-pressure jet to remove the dissolved dirt.

## Round jet nozzle

By turning the nozzle tip (22) you can choose between linear jet (23) and round jet (24) for the spray nozzle.

## Dirt milling machine

The dirt milling machine (14) produces a rotary linear jet. This makes cleaning large wall and floor surfaces faster.

- Proceed first, as described above in the section ("Before starting up").
- Mount the nozzle to the rotor (14) into the spray tube (12) as described below.
- By pressing the trigger (19) a rotating linear jet is produced.
- For instance, by moving the spray gun here and there, you can effectively remove algae or foam from outdoor surfaces.

## Surfaces cleaner

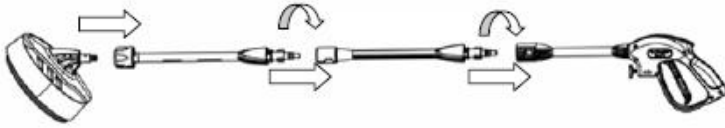
The surface cleaner (17) allows efficient cleaning of terraces, paths and similar large surfaces. This function provides the user with optimum splash protection. The high-pressure nozzles in the cleaning housing are rotated by water pressure. The housing and tight brushes close to the edge prevent splashing.

- Connect the junction of the surface cleaner (17) to the spray tube (12) until you hear a click. If needed, mount the extension (16) between the gun and the spray tube.
- First, place the surface cleaner on the surface to be cleaned and turn on the high-pressure cleaner, as described above. Without too much pressure, guide the surface cleaner onto the surface to be cleaned.
- **ATTENTION:** Never operate the spray gun trigger until the surface cleaner is placed on the surface to be cleaned.
- Thanks to the rotating nozzles and cleaning brushes, you can remove algae, moss and other dirt of the same type from terraces, paths and similar surfaces without splashing.

The extension (16) should only be used with the surface cleaner (17).



**Warning:** The extension (16) must only be used with the surface cleaner (17). The surface cleaner can not be used without the extension as shown below:



**Warning:** The extension (16) with the spray gun cannot be stored inside the hook as described above, as this may cause the machine to tip over.



## **Completing the cleaning**

- Switch off the pressure washer with the operating switch (5) and press "OFF" to unplug the plug.
- Turn off the water supply and remove the device from the water drain.
- Operate the spray gun (11) until the device is no longer pressurized.
- Lock the trigger (19) of the spray gun with the locking system (18).
- Disconnect the high-pressure hose from the gun by pressing the locking button (20) and pulling the hose downwards from the gun.
- Roll up the whole high-pressure hose onto the reel (2).
- Store the device in a safe place, temperate place out of reach of children.
- Before a long period without use and winter storage, operate the device for approx. 5 seconds without draining water and without connecting the high-pressure hose. The pump is thus emptied of as much residual water as possible and the risk of damage due to the possible presence of frozen water within the device is nearly in-existent.

## **Care and Maintenance**

- Before carrying out any maintenance and repair work, disconnect the power plug.
- Clean the housing only with a dry cloth and do not use detergents that could attack the housing.
- Remove the dirt filter from the water connection (7), clean it under water and replace it.
- The supplied cleaning needle (15) is used to clean the nozzle. After each use of the pressure washer, push the cleaning needle (15) through the nozzle from the front to remove any foreign material or deposits in the nozzle.

## **Storage**

- Proceed to its cleaning and remove the hoses and accessories before storage. Check that there isn't any water in the pipes.
- Place the power cable on its hook and wrap completely the high-pressure hose.
- Store the machine, hoses and accessories together in a safe and dry place, protected from moisture and frost.

The machine should be stored in order to be out of the reach of children.

## **Elimination**



### **Used power tools and environmental protection**

- If you ever use your electrical appliance so intensively that it must be replaced or if you no longer need it, you should dispose of it at a recycling centre.
- Information on the disposal of your electrical equipment can be obtained from local waste disposal companies or your administrative centres.
- Electrical appliances contain important recyclable raw materials. By bringing your electrical appliance to a recycling centre, you contribute to the reuse of valuable raw materials.
- Electrical appliances also contain elements which, if not disposed of properly, can cause damage to people and the environment.
- The symbol representing a crossed-out waste bin means that you are obliged to take the device involved to a sorting centre for electrical and electronic equipment for its recycling.





## Declaration of conformity

### BUILDER SAS

ZI, 32 rue aristide Bergès – 31270 Cugnaux - France

Declares that the machinery designated below:

**HIGH-PRESSURE CLEANER**

Ref.: HNHPE2000

Serial number: **20210372293-20210372580**

Complies with the provisions of the Directive “machinery” 2006/42/CE

and national laws transposing it:

Also complies with the following European directives:

EMC Directive 2014/30/EU

Rohs Directive (EU)2015/863 amending 2011/65/EU

Directive on environmental noise emissions from equipment

intended for use outside buildings 2000/14/EC

Guaranteed Sound Power Level: 99 dB(A)

Also complies with European standards, with national standards

and the following technical provisions:

EN 60335-1:2012+A11:2014+A13:2017+A1:2019+A2:2019+A14:2019

EN60335-2-79:2012

EN 62233:2008

EN 55014-1:2017

EN 55014-2:2015

ENIEC61000-3-2:2019

EN 61000-3-3:2013+A1:2019

Issued in Cugnaux, on 01/01/2021

Philippe MARIE / PDG

# HYUNDAI

## WARRANTY

The manufacturer guarantees the product against defects in material and workmanship for a period of 2 years from the date of the original purchase. The warranty only applies if the product is for household use. The warranty does not cover breakdowns due to normal wear and tear.

The manufacturer agrees to replace parts identified as defective by the designated distributor. The manufacturer does not accept responsibility for the replacement of the machine, in whole or in part, and/or ensuing damage.

### The warranty does not cover breakdowns due to:

- insufficient maintenance.
- abnormal assembly, adjustment or operations of the product.
- parts subject to normal wear and tear.

### The warranty does not extend to:

- shipping and packaging costs.
- using the tool for a purpose other than that for which it was designed.
- the use and maintenance of the machine done in a manner not described in the user manual.

Due to our policy of continuous product improvement, we reserve the right to alter or change specifications without notice. Consequently, the product may be different from the information contained therein, but a modification will be undertaken without notice if it is recognized as an improvement of the preceding characteristic.

### READ THE MANUAL CAREFULLY BEFORE USING THE MACHINE.

When ordering spare parts, please indicate the part number or code, you can find this in the spare parts list in this manual. Keep the purchase receipt; without it, the warranty is invalid. To help you with your product, we invite you to contact us by phone or via our website:

- **+33 (0)9.70.75.30.30**
- **<https://services.swap-europe.com/contact>**

You must create a "ticket" via the web platform.

- Register or create your account.
- Indicate the reference of the tool.
- Choose the subject of your request.
- Describe your problem.
- Attach these files: invoice or sales receipt, photo of the identification plate (serial number), photo of the part you need (for example: pins on the transformer plug which are broken).



# PRODUCT FAILURE

## WHAT TO DO IF MY MACHINE BREAKS DOWN?

### If you bought your product in a store:

- a) Empty the fuel tank.
- b) Make sure that your machine is complete with all accessories supplied, and clean! If this is not the case, the repairer will refuse the machine.

Go to the store with the complete machine and with the receipt or invoice.

### If you bought your product on a website:

- a) Empty the fuel tank.
- b) Make sure that your machine is complete with all accessories supplied, and clean! If this is not the case, the repairer will refuse the machine.
- c) Create a SWAP-Europe service ticket on the site: <https://services.swap-europe.com> When making the request on SWAP-Europe, you must attach the invoice and the photo of the nameplate (serial number).
- d) Contact the repair station to make sure it is available before dropping off the machine.

Go to the repair station with the complete machine packed, accompanied by the purchase invoice and the station support sheet downloadable after the service request is completed on the SWAP-Europe site

For machines with engine failure from manufacturers BRIGGS & STRATTON, HONDA and RATO, please refer to the following instructions.

Repairs will be done by approved engine manufacturers of these manufacturers, see their site:

- <http://www.briggsandstratton.com/eu/fr>
- <http://www.honda-engines-eu.com/fr/service-network-page;jsessionid=5EE8456CF39CD572AA2AEEDFD290CDAE>
- <https://www.rato-europe.com/it/service-network>

**Please keep your original packaging to allow for after-sales service returns or pack your machine with a similar cardboard box of the same dimensions.**

**For any question concerning our after-sales service you can make a request on our website <https://services.swap-europe.com>**

**Our hotline remains available at +33 (9) 70 75 30 30.**



# WARRANTY EXCLUSIONS

## THE WARRANTY DOES NOT COVER:

- Start-up and setting up of the product.
- Damage resulting from normal wear and tear of the product.
- Damage resulting from improper use of the product.
- Damage resulting from assembly or start-up not in accordance with the user manual.
- Breakdowns related to carburetion beyond 90 days and fouling of carburetors.
- Periodic and standard maintenance events.
- Actions of modification and dismantling that directly void the warranty.
- Products whose original authentication marking (brand, serial number) has been degraded, altered or withdrawn.
- Replacement of consumables.
- The use of non-original parts.
- Breakage of parts following impacts or projections.
- Accessories breakdowns.
- Defects and their consequences linked to any external cause.
- Loss of components and loss due to insufficient screwing.
- Cutting components and any damage related to the loosening of parts.
- Overload or overheating.
- Poor power supply quality: faulty voltage, voltage error, etc.
- Damages resulting from the deprivation of enjoyment of the product during the time necessary for repairs and more generally the costs related to the immobilization of the product.
- The costs of a second opinion established by a third party following an estimate by a SWAP-Europe repair station
- The use of a product which would show a defect or a breakage which was not the subject of an immediate report and/or repair with the services of SWAP-Europe.
- Deterioration linked to transport and storage\*.
- Launchers beyond 90 days.
- Oil, petrol, grease.
- Damages related to the use of non-compliant fuels or lubricants.

\* In accordance with transport legislation, damage related to transport must be declared to carriers within 48 hours maximum after observation by registered letter with acknowledgement of receipt.

This document is a supplement to your notice, a non-exhaustive list.

**Attention:** all orders must be checked in the presence of the delivery person. In case of refusal by the delivery person, it you must simply refuse the delivery and notify your refusal.

**Reminder:** the reserves do not exclude the notification by registered letter with acknowledgement within 72 hours.

### Information:

Thermal devices must be wintered each season (service available on the SWAP-Europe site). Batteries must be charged before being stored.

# HYUNDAI

POWER PRODUCTS

## For Inquiries, Please Contact:

BUILDER SAS

32, rue Aristide Bergès Z1 31270 Cugnaux, France

Tel. +33 (0) 5.34.502.502 Fax: +33 (0) 5.34.502.503

<http://www.hyundaipower-fr.com/>

Made in PRC